



**NORTH AMERICA  
PORTFOLIO**



**X10 Corn Header demo  
in Richards, Missouri**



# X10

## The new standard of **PRODUCTIVITY**



**MORE ACRES PER DAY**



**100% ALUMINUM FRAME**



**TWO DECADES OF SERVICE IN THE AG WORLD**

- ▶ **Yield beyond measure**, harvesting on a large scale to break productivity records.
- ▶ The Cornheader is engineered for high performance, **providing harvesting speed and productivity.**
- ▶ **Closed lateral transmission with oil bath as standard**, reducing maintenance time.
- ▶ Gearboxes with aluminum cask and lubrication in EP 0 grease, with helical **gears best temperature dissipation** and lowest noise on the market.
- ▶ GTS Cornheaders can be equipped with a chopper (available 30 - 38 inches), **row guidance sensors and height sensors**

### 23 years of expertise engineering and manufacturing with aluminum

The only platform with a 100% aluminum structure in a header. The lightest and most robust on the market.



### Double flighted auger with 4 discharge points for a smooth even flow into the feeder house



**True universal coupling!**  
With the exchange of few items the platform kit can be switched between any model combines (JD/CNH - JD X9 - MF - Gleaner - Fendt - Claas).

**Fully customizable speed control to each component with a simple change of gearing (FULL SET OF GEARS INCLUDED).**



**Exclusive window adjustment.** Standard option Manual 5 position window is especially nice for combines without hydraulic feeder house to set the machine like your Draper so no adjustments needed to switch. Even nicer in down corn for the additional angles.



**GTS X10 IS ONE OF THE MOST DESIRED HEADERS ON THE WORLD MARKET TODAY.**

Model	Rows	Row Spacing (in)	Weight (lb) (with chopper)	Weight (lb)	Width
12R20	12	20"	N/A	5675	21' - 5"
16R20	16		N/A	7610	28' - 7"
18R20	18		N/A	8200	31' - 6"
24R20	24		N/A	10180	41' - 6"
12R22	12	22"	N/A	6060	24' - 1"
16R22	16		N/A	8010	31' - 6"
18R22	18		N/A	8670	34' - 2"
22R22	22		N/A	9800	41' - 6"
24R22	24		N/A	10360	44' - 5"
06R30	6	30"	4380	3850	16' - 5"
08R30	8		5800	5100	21' - 5"
12R30	12		8340	7140	31' - 6"
16R30	16		10750	9350	41' - 6"
18R30	18		N/A	10720	46' - 4"
06R38	6	38"	4610	4080	19' - 9"
08R38	8		6460	5750	26' - 1"
12R38	12		9330	8260	38' - 10"

*Don't let your Cornhead be the limiting factor in your harvest*

## 25 REASONS TO BUY A GTS ALUMINUM CORN HEAD

1. Uniform feeding
2. Variable angle window (standard option) for down corn
3. Unique scraper prevents wrapping.
4. Toughest but lightest frames on the Market
5. Double flighted auger with 4 even discharge points in the feeder house
6. LOWER WEIGHT = LESS COMPACTION
7. Less stress on the combine components, such as final drives, rims, wheel studs or bolts, or the feeder house since you don't have a heavy corn head hanging out front.
8. Short snouts handle curves much easier and haul down the road much easier without folding them up.
9. Tapered deck plates and unique feeding disperse more trash out the bottom of the row unit to harvest just the ears with little trash. Enhanced combine separating capacity increases your speed and crop quality.
10. Goes through Panicum and Foxtail like it isn't even there.
11. Much better harvesting capacity assures much faster harvesting speeds (up to 50% faster). You didn't buy an expensive combine to be slowed down buy a poor feeding head.
12. 3 YEAR Warranty
13. Tapered Deck plates and smaller gathering chains for very low kernel loss (BUTTSHELL)
14. CLEANER SAMPLE - by harvesting just the ears you get a cleaner sample since the separating system has a lot less fodder to deal with
15. Picks extremely clean - It could be the cleanest picking head on the market today...
16. Adjustable auger speed to match the capacity of your combine.'
17. Extremely simple design = easy to work on
18. Aluminum doesn't rust.
19. Lower weight lessens the chance of cutting tracks and getting stuck.
20. Coupler design allows for easy transfer from one brand of combine to another.
21. Several stalk roll options for stalk sizing - Standard, Shred Select, Calmer and 360 chain rolls.
22. Easy maintenance, very few grease zerks.
23. Simple deck plate adjustment that doesn't need freed up every year (like some)
24. Don't let your Cornhead pick your hybrids, the GTS handles the fodder so every hybrid should feed well!
25. LESS STRESS! When a Cornhead feeds cleanly, and the down corn and weeds don't plug, LIFE IS GOOD!

**GTS FREE TIME** is when you get done by 7 what used to take until 9 or 10.

**GTS STANDS FOR GREATER TIME SAVINGS**



**Denny Bell, TerreMax Farms LLC.**  
Terre Haute, Indiana, United States

*"Just try the difference of a lighter head that picks cleanly at high speed. You won't take it off".*





# X10

## *The perfect balance between* **TECHNOLOGY AND ROBUSTNESS**

X10 Corn Headers are built on a lightweight aluminum alloy chassis and are versatile, simple to install, and compatible with most North American combines. With more than fifteen years of production behind them, GTS guarantees their headers are the toughest and lightest frames on the market.

Using the optional Truesight line sensor technology, X10 Corn Headers are integrated with the combine's automatic steering system and GPS corrections, ensuring the harvester stays in the rows. Truesight sensors are able to detect corn stalks and identify planted rows.



Powers through weeds with less compaction and durability



Fewer bearings for easy maintenance

# 30% LIGHTER



With over 23 years of experience in building and manufacturing this high grade aluminum chassis, we've withstood **the toughest agricultural environments.**

Durable light weight aluminum for **less compaction and less strain on the combine.**



High efficiency Chopper with a frayed cut, specifically engineered to reduce tire damage.



Choppers may be independently shut off by rows. Maximizing run time by delaying replacement of damaged blades due to field hazards.

## CUSTOMER TESTMONIAL

Our goal as farmers is always to be as cost effective as possible. The GTS is quite a bit lighter compared to other brands. This makes fuel cost lower, reduces the stress on the combine, reduces compaction and easier to maneuver in the field and down the road.

In the past we have always had issues with socks cutting into the tires of the combine. There was always a need for some type of accessory that would break the corn stalk or press it into the ground. With the GTS chopper header there is nothing really left to break apart. The head does a fantastic job of completely shredding the stalk. We had ordered some attachments to knock the stalk down, but ended up just sending those back because of how good the GTS header performed.

A couple of other features we like are the smaller chains and the tapered deck plates. We feel like those help a lot with minimum amount of head loss. You can see the plant material moving through the deck plates and not coming into de machine. In over the 30 plus years of farming, it has by far been the best head on the market for our operation. I don't see us going back to John Deere anytime soon.



Rilo & Danny Burnett - Burnett Farms  
Metropolis, IL. United States

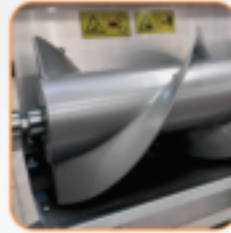


Farm Progress Show  
in Boone, Iowa, 2022



Easy to change from one combine brand to another. Platform kits designed to easily change from one brand of combine to another.

Double flighted Auger with discharge points for an even feed into the combine.



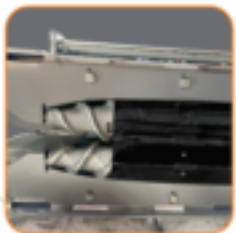
Shorter snouts for better efficiency in curved rows.

Totally customizable speeds on any component to any crop condition in minutes with included sprocket set. Header speeds are fully customizable to adapt to your most intense crop harvesting conditions. Sprockets sets are included as standard options.



Smaller chains and tapered deck plates for less head shell. More corn in the grain tank due to tapered deck plates and shorter chains to reduce loss.

Rows have individual clutches for each row and individual shutoffs for chopping transmissions.



Special engineered scraper plates for extreme weed pressure. Scraper plates that are designed and engineered to power through extreme weed pressure.

## CUSTOMER TESTMONIAL

Really loved the head and the support that got sent out to set it up and get it going went from Deere head to the GTS. Got along great. Believe it has several advantages of the Deere,

Obviously, the weight advantage was what got our attention at first. We are big on watching field compaction.

We were on the fence with the short gathering chains but after using them we see no problem with them, pull in less trash it seems over the Deere. The gathering chains also stick out farther past the stalk rollers and seemed to really help pull the stalks in to the rollers.

Grease in the gear boxes is a plus in our opinion as well the Deeres went to gear oil and could leak. The double flighted auger worked really well. One thing we did not like was the plastic tips on the end.

We looked at them at the farm progress show and the guys got us in touch with a local dealer. Yield Technology services out of Carrollton, MO. Matt Germann. They were good to work with as well and have been helpful trouble shooting anything we had wrong.

Really impressed with all the factory guys that showed up from GTS to help get the head setup exactly right and stuck around for several hours in the field with us to make sure it was working properly.



Brandon Bothwell - Bothwell Farms  
Mooreville, Mo. United States



# Unequaled ground following, combined with **THE BEST CUT IN THE MARKET**

- ▶ Designed to balance weight and **maximize combine performance** with carbon steel and aluminum frame versions.
- ▶ **Robust and highly durable system**, with direct mechanical drive, dispensing with the use of motors and hydraulic reservoirs.
- ▶ **Largest cutter bar flex range on the market.** The draper is equipped with a spring follow ground system, which allows immediate follow of terrain irregularities. Flexibility is further assisted by the High Sense 4-sensor height system, allowing the best follow ground on the market with simple adjustments and easy calibration.
- ▶ **The best cut bar in the world**, GTS Flexer Draper is equipped with the best cutting system on the market, consisting of extremely sharp knives arranged in a balanced way, with rollers, protected by a system of special fingers, guaranteeing a fluid and safe cut.



**Universal coupling**, serving the entire new generation of harvesters on the market.  
(\*See application table).



**End of reel wrapping** with the Flip Over reels with 360° rotation.



**Easy access to parts** and low maintenance costs.



**Low grain loss rate.**



**Reduced daily inspection time.**



**Front and rear lighting.**





Characteristics	Flexer XP (Steel)		Flexer XS (Aluminum)							
	25	30	25	30	35	40	45	50	55	60
Model	25	30	25	30	35	40	45	50	55	60
Cut length (ft)	25'- 7"	30'- 6"	25'- 7"	30'- 6"	35'- 9"	40'- 8"	45'- 7"	50'- 6"	55'- 5"	61'- 4"
Total length (ft)	28'- 2"	33'- 1"	28'- 2"	33'- 1"	38'- 1"	43'	47'- 11"	53'- 2"	57'- 9"	62'- 8"
Approximate weight (lb)	6.790	7.600	6.230	7.080	8.160	8.790	9.620	10.470	11.320	12.170
Tilt angle adjustment	Hydraulic		Hydraulic							
Cutterbar drive	Dual		Double							
Cutterbar float adjustment	Mechanic by springs		Mechanic by springs							
Number of buoyancy sensors	4		4							
Independent belt speed transmission	Not available		Optional							
Reel model	360° flip-over		360° flip-over							
Number of reel sections	1		3							
Reel finger angle adjustments	5 positions		5 positions							
LED lighting	Front and rear		Front and rear							



# Flexer XP

## Constructive simplicity AND BEST COST-BENEFIT

**BEST VALUE FOR BENEFIT**

**CONSTRUCTIVE SIMPLICITY**

**EASY ACCESS FOR MAINTENANCE**



### SINGLE REEL



- ▶ Coupling for the **main brands in the market.**
- ▶ **Easy hydraulic adjustment** of the angle.
- ▶ **Carbon steel** frame.



# Flexer XS

## The biggest draper IN THE WORLD



FLEXIBILITY



LIGHTNESS



HIGH OPERATING  
PERFORMANCE

### THREE FLOW REEL DIVIDED INTO 3 SECTIONS WITH FLIP-OVER MODEL



- ▶ **Three Flow reel:** first company introduce divided into 3 sections, ensuring ample visibility for the operator in addition to improving crop collection, as they work in different cycles where the two sides are in one cycle and the central one in another.
- ▶ The only draper in the world with a **100% aluminum frame**, light and resistant.
- ▶ **Optional with 3 speed variations of the side belts**, mechanical transmission, easy maintenance.



# FLEX YOUR POWER *on the farm*



Innovation, technology and machinery designed to increase crop productivity are statements that have underlined GTS as a trusted manufacturer of high-performance agricultural implements throughout the world.

GTS has always manufactured innovative cutting decks with a philosophy based on simplicity and efficiency. The use of strong lightweight materials such as aluminium increases performance and fuel economy, while reducing wear on the combine and soil compaction.

This commitment to ongoing innovation has resulted in GTS launching the Flexer XS (62 feet).

The Flexer XS brings more productivity, the ability to work at greater speed, and provides a better cut with less loss of grain. It has a self-compensating floating system, allowing the cutter bar to slide smoothly over the ground and avoid drag. Additionally this machine reduces the wear of the platform and harvester, bringing superior results for large-scale harvesting

- ▶ Improved operator's field of vision across the entire length of the platform
- ▶ Ease of adjustments
- ▶ Coupling for the main harvesters on the market
- ▶ Performance beyond measures, change your harvesting concept through the lightness and flexibility of the S Series, the ideal platform for those looking for improved results through a simple and functional platform.

# FEATURES



## CUTTER BAR

The cutter bar uses the EasyCut system from the renowned Schumacher brand. The Schumacher system, although simple, is quite precise, with the blades being placed alternately, one up and one down. Due to the placement and arrangement of the knives, the movement is smoother, and the bar is more stable.



## DRAPER MATS

Rubber draper mats transport product smoothly. The centre belt and two sides all driven by an adjustable gearbox. The linear speed of the tracks can be varied via three speed settings with a variation of approximately 15% between the low, medium and high positions.



## HEXAGONAL REEL

Featuring a hexagonal shaped reel, divided into three sections and constructed of high-strength steel. The position of the assembly can also adjust height and feed in relation to the cutter bar and rotation, proportional to the machine's feed speed.



## SPRINGFLEX® FLOTATION SYSTEM

SpringFlex® flotation system is very responsive due to the sensors being directly under the cutter bar, instead of trailing behind, which then allows the perfect profiling of the soil and terrain even in the most extreme harvest conditions such as high humidity.



## FLIP OVER REEL BARS IN 3 SECTIONS

Allow the operator to better visualise the cutter bar performance during harvesting.



## NEW SIDE FAIRING

Clever design allows easy access for the lubrication of the knife box transmission.



## LIGHTNESS & FLEXIBILITY

Increased performance thanks to a lighter, more efficient, and flexible harvesting system. The GTS do Brasil Flexer XS the perfect harvesting upgrade for farmers looking to improve results.



## GO EVEN BIGGER!

Aside from all the features GTS have to offer, the Flexer XS is also available in bigger sizes. Ranging from from 25ft to 62ft!



## CUSTOMER TESTMONIAL

Over the years I have owned John Deere, MacDon, and CLAAS headers and they were all very good and the GTS header is also very good. It works very well and I like the three-piece reel as it gives you good vision in the center. The GTS header has a very good sickle on it. The GTS Draper has more mechanical operation than electronic and I kind of like that. It is a very solid head with an aluminum frame and I am pleased with the overall performance. I have a very good dealer in Vantage Mid-South as they provide very good support. I also have been really pleased with the factory support from GTS and with their distribution partner Agri US. I currently own 2 GTS 50 foot Draper headers.



Jim and Jackie Steritz  
Red Leaf Plantation  
Arkansas

*Planner 310ct**Plan to shape your  
FARM'S FUTURE***SUPERIOR  
LEVELING WORK****CUT WITH  
FLUIDITY****HIGH  
PERFORMANCE**

- ▶ Proven quality from one of the worlds leading Farm Machinery Manufacturers with full in-cabin dual hydraulic controls.
- ▶ This is a versatile machine suitable for water control and track creation.
- ▶ Shape your ground for Winter, improve access, maximise your irrigation, fertiliser and farm performance.
- ▶ These new GTS Planner Graders are quality Farm Machinery and have the strength and control to help boost your farms productivity.

Characteristics	PLANNER 310
Model	310 CT
Blade width (ft)	11,97 or 13,91
Approx. total weight with ballast (lb)	4.629
Approximate total length (ft)	19,35
External width of the wheelset (ft)	8,2
Height with blade raised (ft)	8,2
Minimum recommended power (hp)	70
Maximum recommended power (hp)	120
Counterweights (6 units of 154 lb)	Optional
Blade coating	Not available
Blade side cut	Not available
Blade bottom cut	Standard
Activation	Dual control hydraulic
Tires	2 un. 12/4/24

Floating and swivelling drawbar pull: this enables full range of movement without restriction for cutting in drains and roads.

Hydraulic blade rotation: Two double acting cylinders allow a for 60 degrees rotation.

Blade tilt system: The blade can be operated at a maximum of angle of 36 degrees.

Curved blade with replaceable cutting edge: GTS have designed the blade to maximize material flow off the blade whilst still catering for cutting into hard soils. The replaceable cutting edge means the machine life is extended.

**FAQ****1. What is the waiting time to order a Planner Grader?**

Currently we have brand new stock just arrived, built, tested and ready for immediate delivery

**2. Where are these GTS Farm Machines built?**

GTS main manufacturing plant is based in Brazil. GTS build over 400 graders per year alone, and coupled with many other farm machine products manufactured, have a wealth of global experience building and designing farm machinery.

# Planner 510ct

## Technology to MULTIPLE OPERATIONS



**SUPERIOR  
LEVELING WORK**



**CUT WITH  
FLUIDITY**



**HIGH  
PERFORMANCE**

- ▲ Soil leveling with **low maintenance cost** and fluid cut.
- ▲ **Maximum earth displacement** (free space between blade and main frame).
- ▲ Designed for tractors **from 95 to 160hp**.
- ▲ **Great resistance and versatility** in soil management.
- ▲ It has a lift of 35.5 inches, **greater tilt and greater blade angle** (28/62°), greater clearance due to the axle and tires.
- ▲ Investment with **guaranteed return**.
- ▲ **The 510 model features four hydraulic functions:**
  - **Drawbar Offset** - To allow the machine to work offset from the position of the tractor.
  - **Hydraulic Lift** and lowering.
  - **Hydraulic Blade** twist allowing the blade to angle in both directions.
  - **Hydraulic Blade Tilt** allowing for grading of roads or sharp drains.

Characteristics	PLANNER 510
Model	510 CT
Blade width (ft)	13,91
Approx. total weight with ballast (lb)	6.834
Approximate total length (ft)	25,59
External width of the wheelset (ft)	9,18
Height with blade raised (ft)	8,85
Minimum recommended power (hp)	95
Maximum recommended power (hp)	160
Counterweights (6 units of 154 lb)	Standard
Blade coating	Standard
Blade side cut	Standard
Blade bottom cut	Standard
Activation	Dual control hydraulic
Tires	2 un. 14/9/26

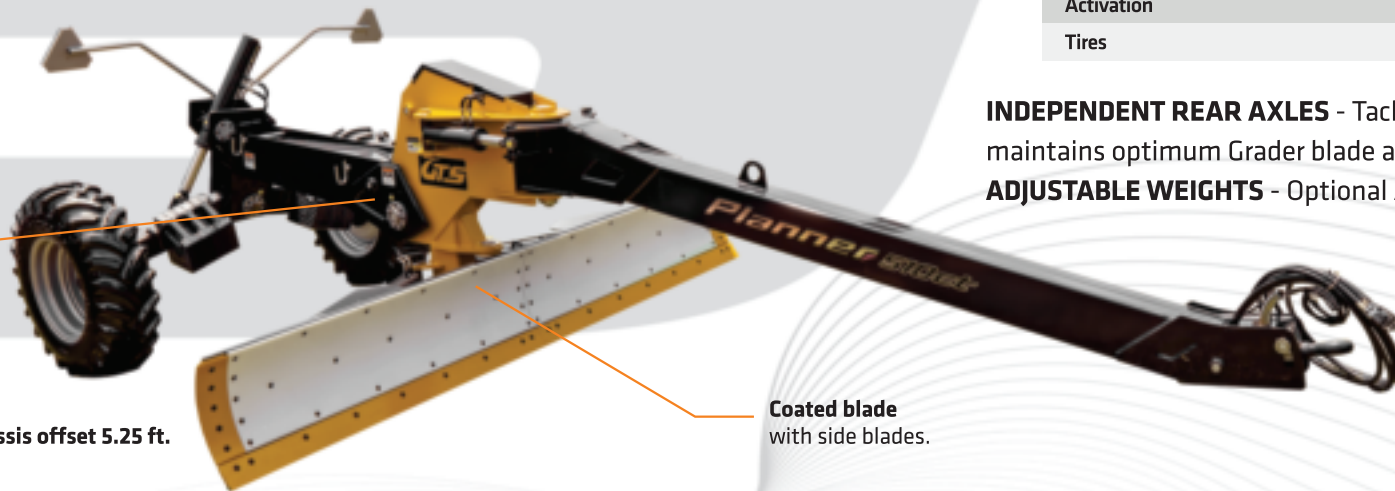
**INDEPENDENT REAR AXLES** - Tackles uneven ground and maintains optimum Grader blade angle.

**ADJUSTABLE WEIGHTS** - Optional Adjustable Counter Weights

Modular structure with  
shielded bearings.

Chassis offset 5.25 ft.

Coated blade  
with side blades.





# Planner 710ct

## Opening ways FOR THE FUTURE



HIGHER GROUND PENETRATION

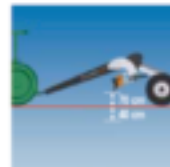


BIGGER WEIGHT ON THE MARKET



HIGH PERFORMANCE

- ▲ It offers all the functions of a motor grader with an **excellent cost-benefit ratio**.
- ▲ **Low maintenance cost**, high performance.
- ▲ **Compatibility with all tractors** in the required power range (100 to 250hp).
- ▲ Tires with **angle of attack adjustment** to give more drag.
- ▲ Greater **stability**.
- ▲ **Articulated** wheel.
- ▲ Achieve the **same results as a motor grader** with minimal investment.
- ▲ All turning points receive **grease fittings and bearings**.
- ▲ **Larger tread between tires** combined with the exclusive joint inclination system, off set system.
- ▲ Investment with **guaranteed return**.



Exclusive angles of up to 40° in blade.

Tilt of wheelsets of up to 20°, as in motor graders.

Up to 5.25 ft offset from the tractor.



Greater ground penetration (16 inches).

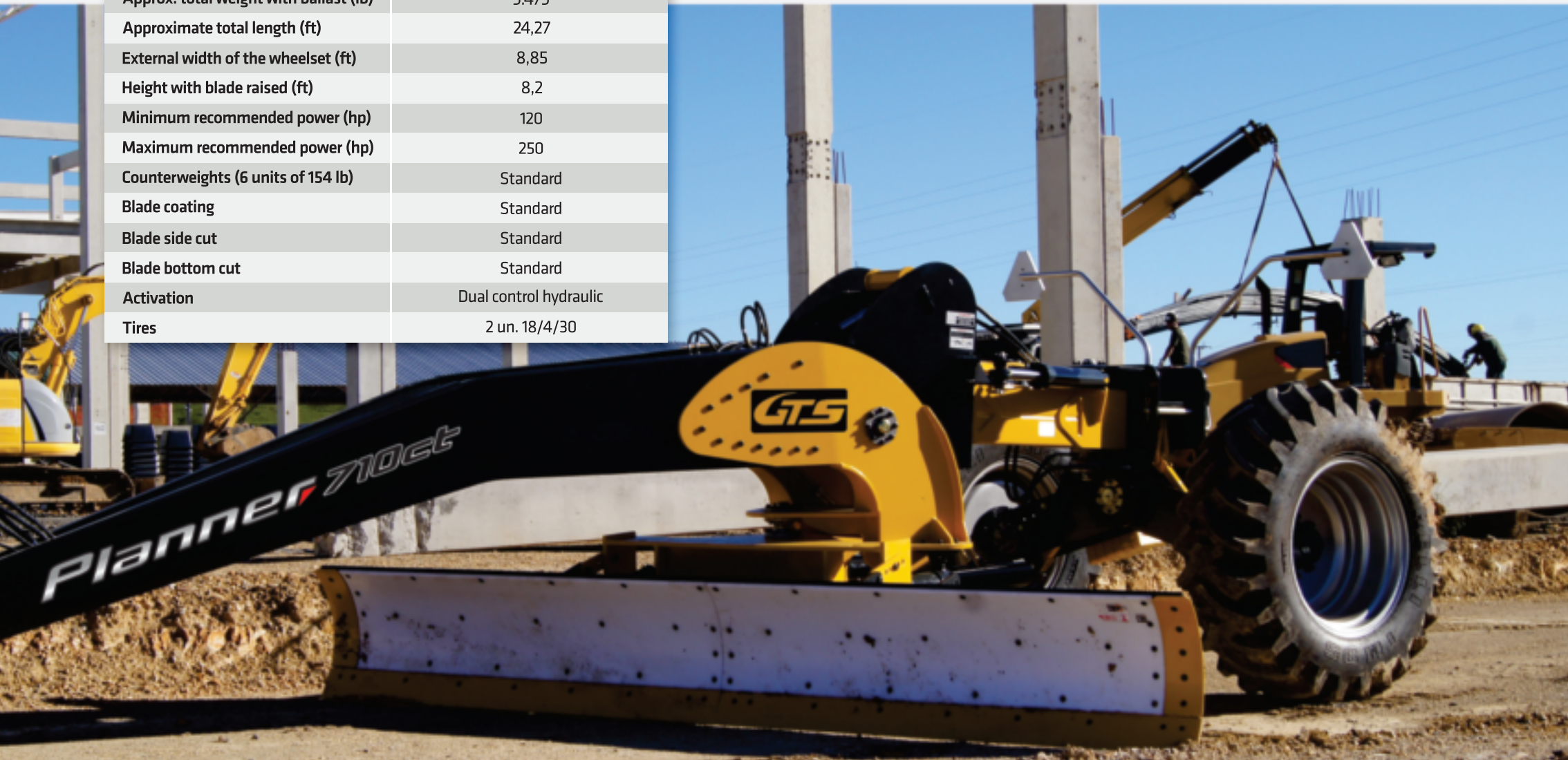
Blade cutting angle adjustment for better ground penetration adjustment.



Characteristics	PLANNER 710
Model	710 CT
Blade width (ft)	13,91
Approx. total weight with ballast (lb)	9.479
Approximate total length (ft)	24,27
External width of the wheelset (ft)	8,85
Height with blade raised (ft)	8,2
Minimum recommended power (hp)	120
Maximum recommended power (hp)	250
Counterweights (6 units of 154 lb)	Standard
Blade coating	Standard
Blade side cut	Standard
Blade bottom cut	Standard
Activation	Dual control hydraulic
Tires	2 un. 18/4/30



MADE FOR ANY TERRAIN WITH EFFICIENCY.



# Tiller Bravus

## Shred, incorporates the straws, LEVELING THE GROUND

**3 in 1** 3 IN 1



**SPEED, AGILITY AND EFFICIENCY**



**IMPROVES SOIL HEALTH**

- ▶ 3 in 1! **Shred, incorporates and levels.**
- ▶ Leveling soil surface and **straw management.**
- ▶ It adapts to the **undulations of the terrain.**
- ▶ Works at **high speed.**
- ▶ **It reduces erosion rates** by maintaining the straw.
- ▶ **Folding.**
- ▶ **individual suspension** and bearing system.
- ▶ **Robust crushing roller** with 23.6 in diameter.



Disk system with great cutting power



Machine tilt system with two reinforced cylinders

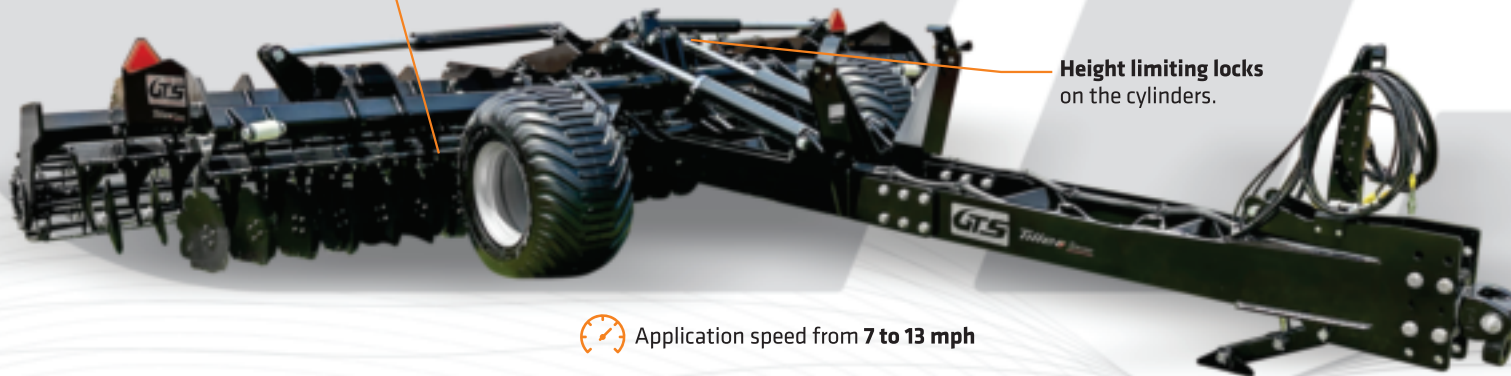


New reinforced chassis



Reinforced roller with cube

Module articulation.



Application speed from **7 to 13 mph**





**THE TECHNOLOGY THAT YOURS  
POST HARVEST MANAGEMENT DESERVES IT.**

Characteristics	TILLER				
Model	A15	A20	A25	A30	A35
Feet	15	20	25	30	35
Working width (in)	244	307	366	425	492
Required power (hp)	180 - 260	200 - 280	230 - 330	300 - 400	400 - 620
Approximate weight (lb)	14.991	19.070	21.605	26.786	28.660



# Exattus

## The revolution of seeding BETWEEN THE ROWS

 **LOW MAINTENANCE COST**

 **HIGH SPEED**

 **EASY SUPPLY**

- ▶ **Unprecedented project** for seeding between the rows.
- ▶ **Agile and versatile**, with spacing from 20 to 38 inches.
- ▶ Can work with **low rates**.
- ▶ It's lightness, **it can be operated with different models of tractors**.
- ▶ **Uniformity** in seed distribution.
- ▶ **Easy turns**.
- ▶ **Perfect seed distribution by air induction**, with seed savings of up to 75% per planted area.
- ▶ Generates the nutritional balance of the soil, **through organic matter**.
- ▶ It allows the planting of signal grass (Brachiaria) **without competing with corn**.

Convenience in supply.



Significant reduction in the amount of seeds used, **due to seeding precision**.

**Low rate of damage** to the implanted crop due to the high free span and pantographic system of the row unit.

Works at **high speed**.



Application example of Exattus seeder in a corn row.

**INDICATIVE TABLE OF AVAILABLE CONFIGURATIONS**

Row spacing (in)	Chassis length (in)	Weight (lb)	Power (hp)
10x20	15,41	5.412	120
10x22	18,7	5.511	120
10x30	25,26	5.732	120
10x38	30,18	5.842	120
11x20	17,06	5.654	132
11x22	20,34	5.754	132
11x30	26,9	5.974	132
11x38	33,46	6.095	132
12x20	18,7	5.963	144
12x22	23,62	6.117	144
12x30	30,18	6.327	144
13x20	20,34	6.206	156
13x22	25,26	6.360	156
13x30	33,46	6.624	156
14x20	21,98	6.514	168
14x22	26,9	6.657	168
14x30	33,46	6.878	168
15x20	23,62	6.756	180
15x22	28,54	6.900	180
16x20	25,26	7.065	192
16x22	30,18	7.220	192
17x20	26,9	7.308	204
17x22	30,18	7.407	204
18x20	28,54	7.616	216
18x22	21,82	7.716	216
19x20	30,18	7.936	228
19x22	33,46	8.046	228
20x20	31,82	8.256	240
21x20	33,46	8.498	252



**ADD ANOTHER CROP TO YOUR FARM AND MAXIMIZE YOUR PROFITABILITY.**



Cover crop.



**FARM  
PROGRESS  
SHOW.**



**Booth 1143 Decatur, IL. - Farm Progress Show**  
**Booth 1062 Boone, IA. - Farm Progress Show**